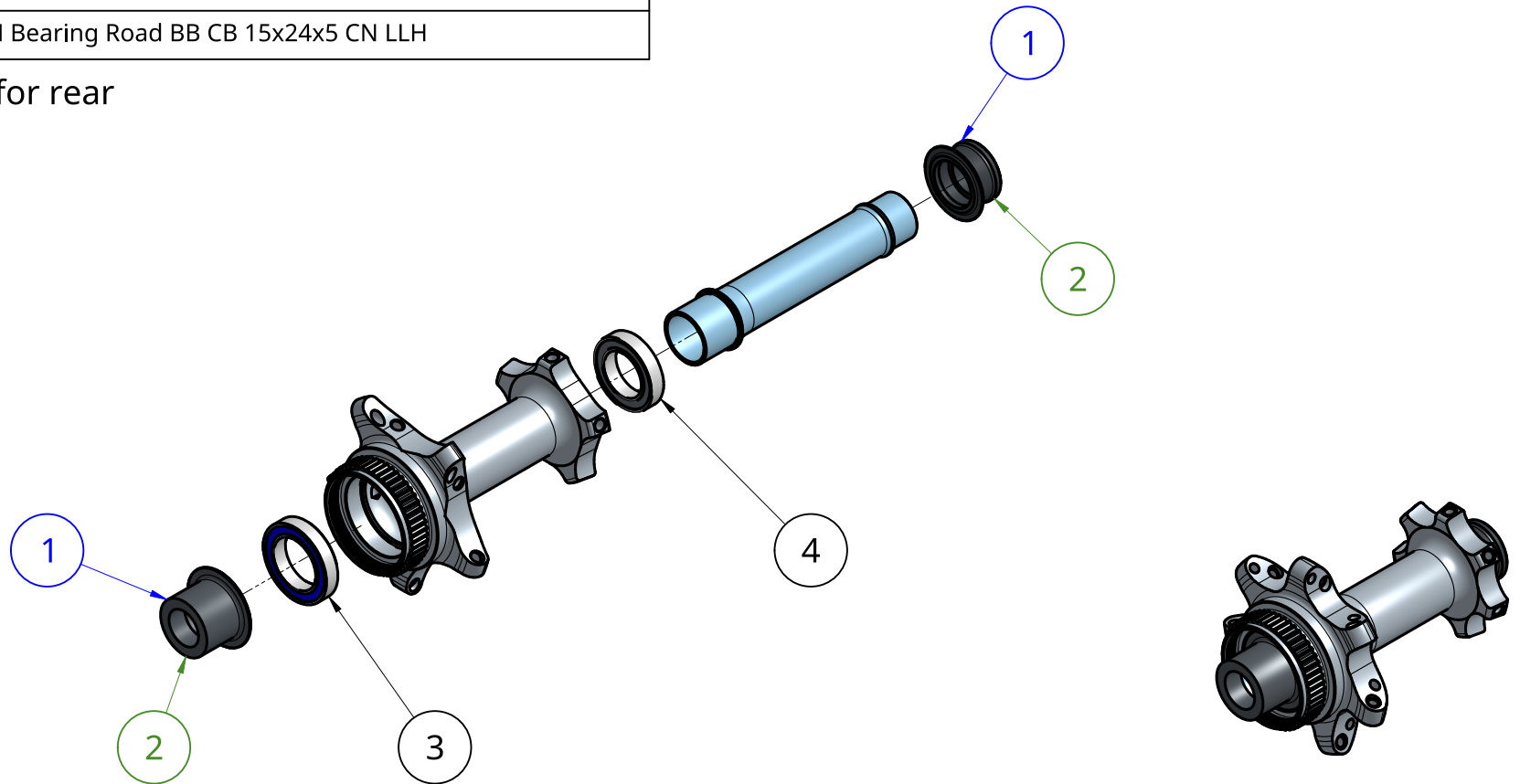


NEWMEN front hub FADE R CS 15h / 21h spare parts

POS	ITEM	Description
1	90720	NEWMEN Fade Road/Gravel Endcap Set 12mm OD 19 mm
2	90719	NEWMEN Fade Road/Gravel Endcap Set 15mm OD 19 mm
3	90286	NEWMEN Bearing Road BB CB 17x26x5 CN LLH
4	90285	NEWMEN Bearing Road BB CB 15x24x5 CN LLH

spare parts are suited for rear hubs with laser logo:

FADE R^{CS}



Recommended tools for hub service:
 90166 - NEWMEN Endcap Removal Tool 2
 90153 - NEWMEN Hub Tooling Set V2

exploded view shows FADE R CS 15h hub
 spare parts also valid for FADE R CS 21h hubs

NEWMEN MG-Components GmbH & Co. KG
 Am Mühlbach 5c
 87487 Wiggensbach
 Germany

DO NOT SCALE DRAWING SIZE: A4 SCALE: 1:2 SHEET 1 of 3

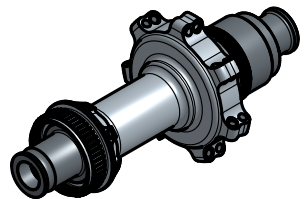
Alle Informationen unter Vorbehalt. Wir behalten uns Änderungen vor
 All information subject to change. We reserve the right to make changes drawing date:
 2025-01-07

NEWMEN rear hub Hub Fade R CS 18h / 21h spare parts

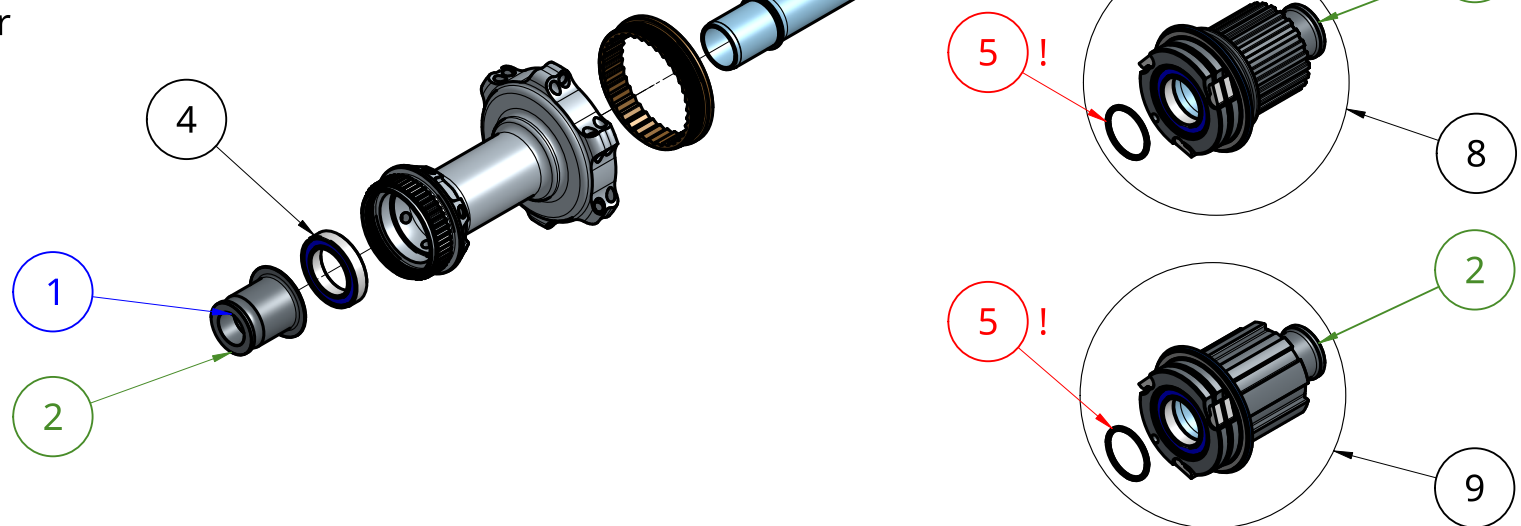
POS	ITEM	Description
1	90716	NEWMEN Fade Road/Gravel Endcap Set 12mm XDR SH
2	90717	NEWMEN Fade Endcap Set 12mm MS (campa)
3	90286	NEWMEN Bearing Road BB CB 17x26x5 CN LLH
4	90286	NEWMEN Bearing Road BB CB 17x26x5 CN LLH
5	90921	NEWMEN Freewheel Spacer 19,4x17x1
6	90917	NEWMEN Fade R Freewheel Set XDR
7	90918	NEWMEN Fade R Freewheel Set SH
8	90919	NEWMEN Fade R Freewheel Set MS
9	90920	NEWMEN Fade R Freewheel Set Campagnolo

spare parts are suited for rear hubs with laser logo:

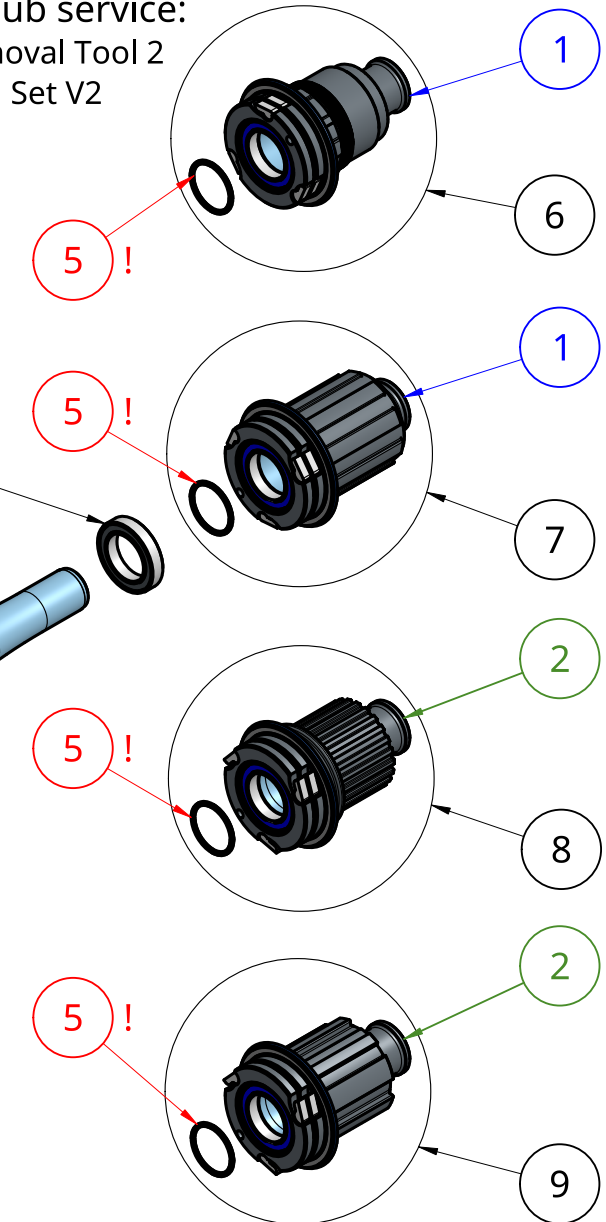
FADE R^{CS}



exploded view shows FADE R CS 18h hub
spare parts also valid for FADE R CS 21h hubs



Recommended tools for hub service:
90166 - NEWMEN Endcap Removal Tool 2
90153 - NEWMEN Hub Tooling Set V2



NEWMEN		MG-Components GmbH & Co. KG Am Mühlbach 5c 87487 Wiggensbach Germany	
DO NOT SCALE DRAWING	SIZE: A4	SCALE: 1:2	SHEET 2 of 3
Alle Informationen unter Vorbehalt. Wir behalten uns Änderungen vor All information subject to change. We reserve the right to make changes			drawing date: 2025-01-07

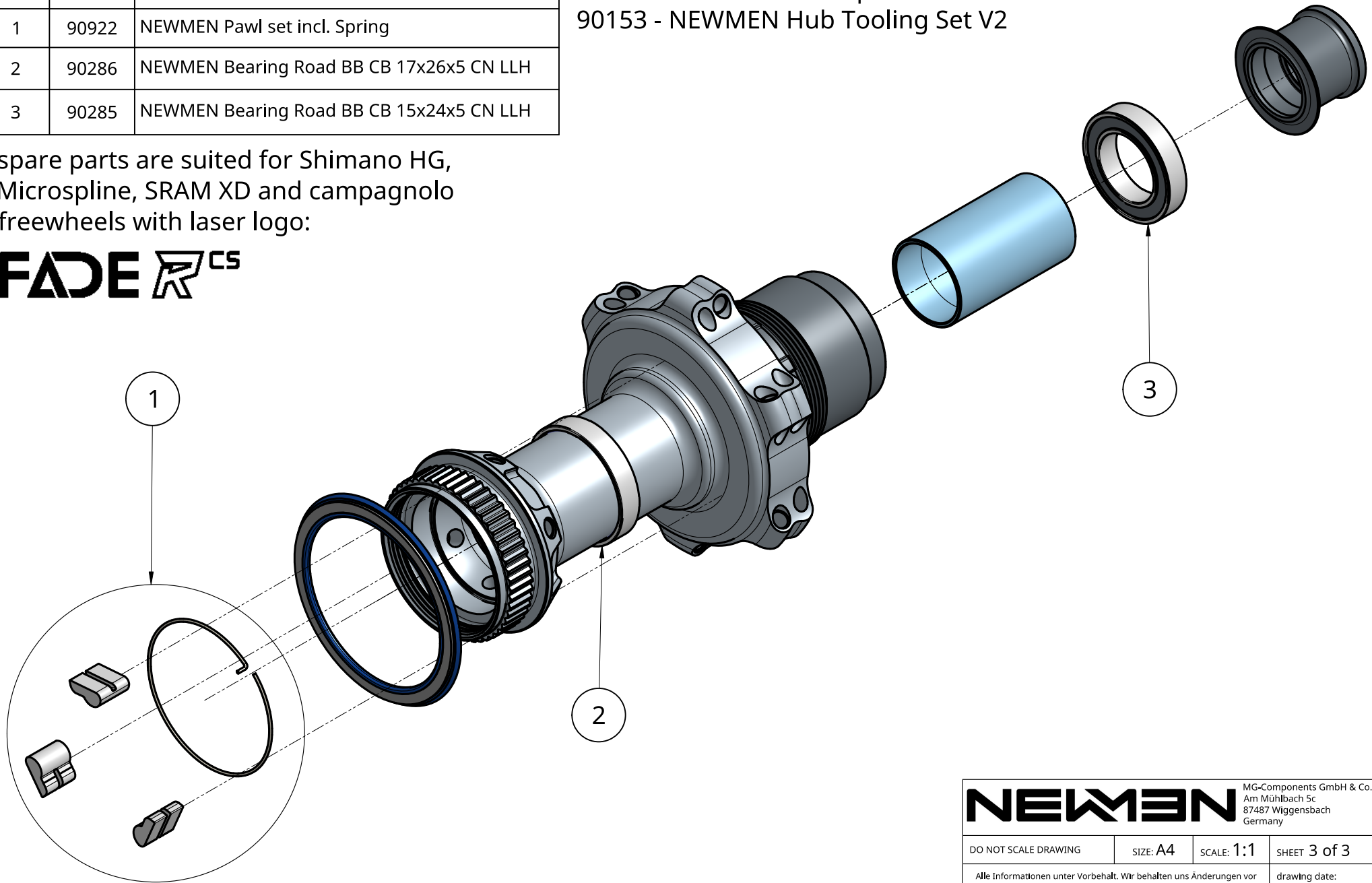
NEWMEN freewheel FADE R CS spare parts

POS	ITEM	Description
1	90922	NEWMEN Pawl set incl. Spring
2	90286	NEWMEN Bearing Road BB CB 17x26x5 CN LLH
3	90285	NEWMEN Bearing Road BB CB 15x24x5 CN LLH

spare parts are suited for Shimano HG, Microspline, SRAM XD and campagnolo freewheels with laser logo:

FADE R^{CS}

Recommended tools for hub service:
 90166 - NEWMEN Endcap Removal Tool 2
 90153 - NEWMEN Hub Tooling Set V2



NEWMEN		MG-Components GmbH & Co. KG Am Mühlbach 5c 87487 Wiggensbach Germany	
DO NOT SCALE DRAWING	SIZE: A4	SCALE: 1:1	SHEET 3 of 3
Alle Informationen unter Vorbehalt. Wir behalten uns Änderungen vor All information subject to change. We reserve the right to make changes			drawing date: 2025-01-07